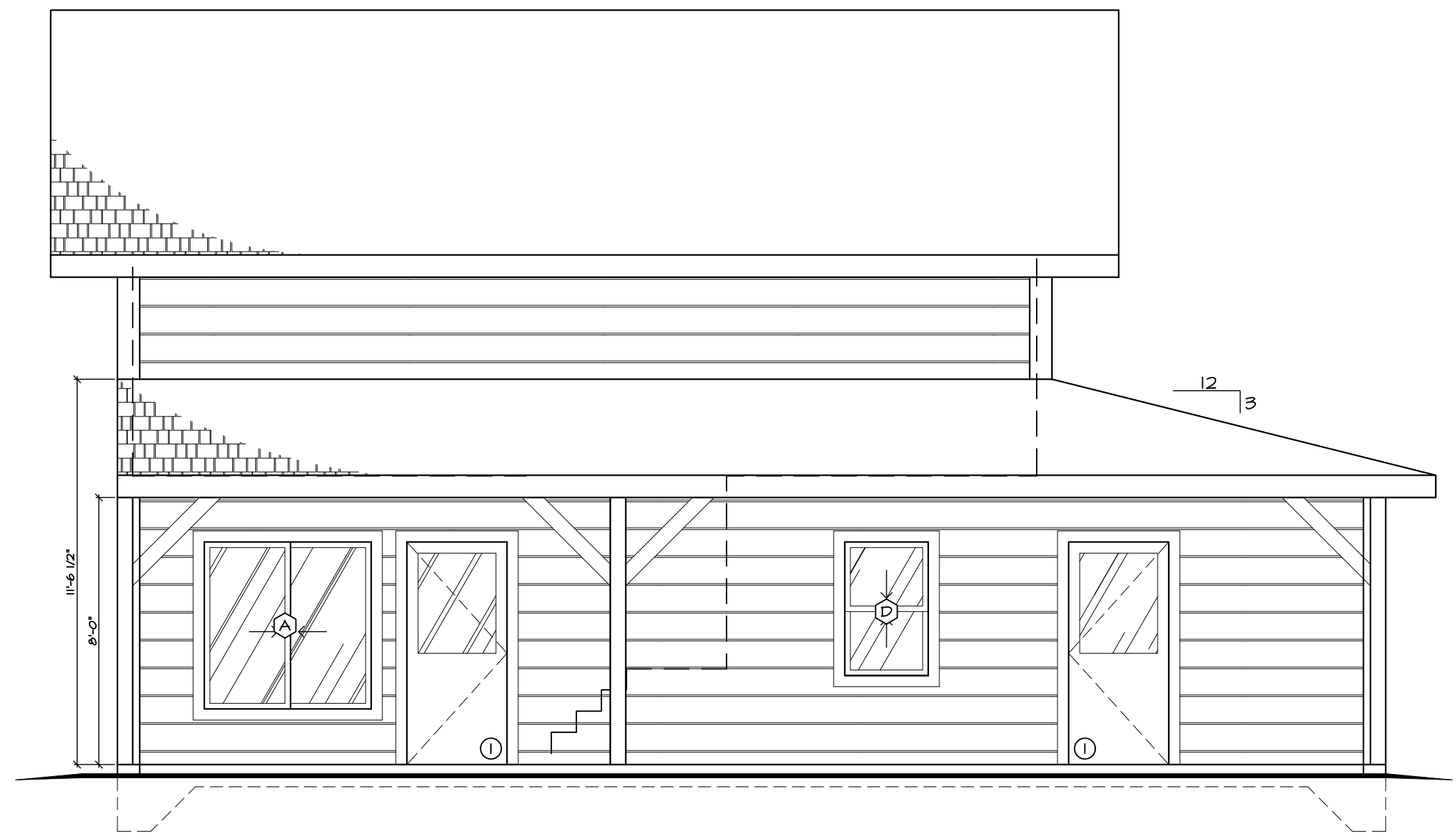


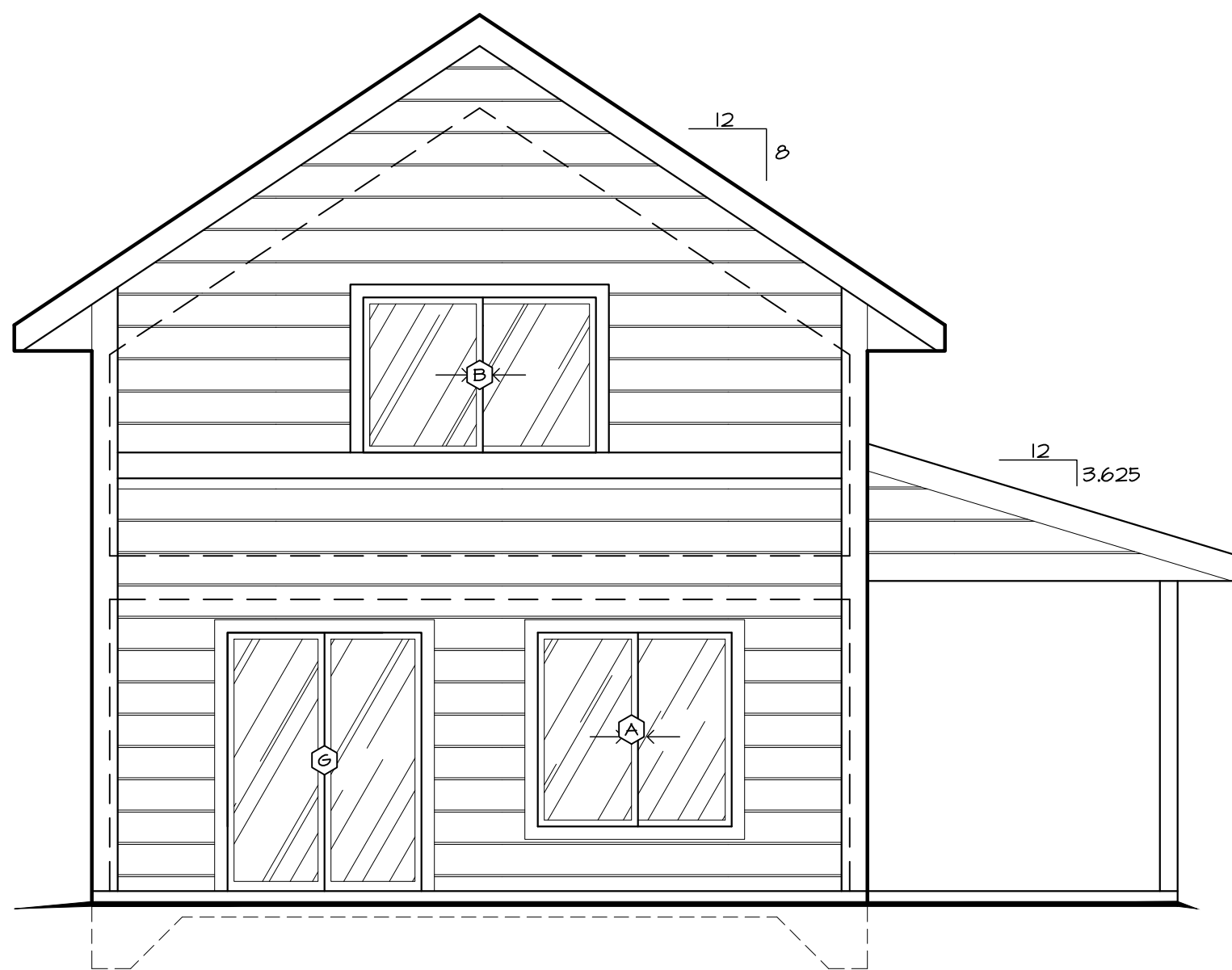
SIDE ELEVATION

SCALE: 1/4" = 1'-0"



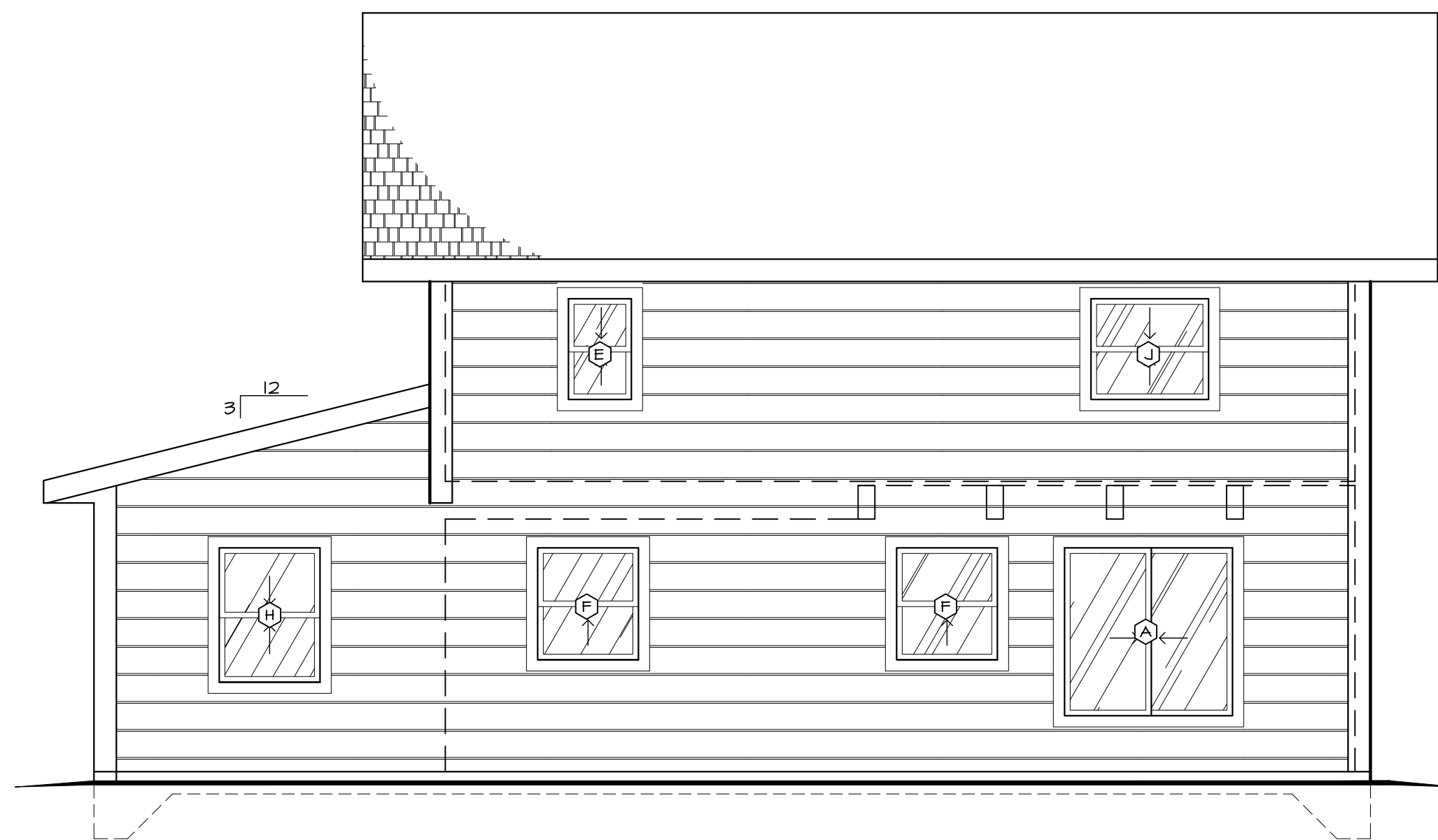
BACK ELEVATION

SCALE: 1/4" = 1'-0"



SIDE ELEVATION

SCALE: 1/4" = 1'-0"



FRONT ELEVATION

SCALE: 1/4" = 1'-0"

SHEET

A1

OF SHEETS

ISSUED: 04/17/18

REVISED: 06/29/18

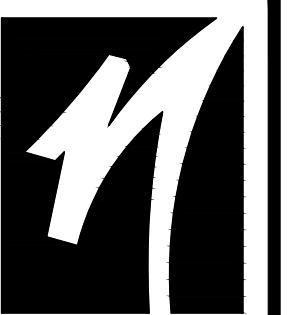
SCALE: SEE PLAN

DRAWN BY: J.L.S.

JOB #: 18-023

NELSON LUMBER & DESIGN HOLDS THE RIGHTS OF COPYRIGHT IN AND TO THESE PRINTS, DRAWINGS AND DOCUMENTS. NO REPRODUCTION, COPYING, ALTERATION, MODIFICATION, USAGE, INCORPORATION INTO OTHER DOCUMENTS OR ASSIGNMENT OF THE SAME MAY OCCUR WITHOUT THE PRIOR WRITTEN PERMISSION OF NELSON LUMBER & DESIGN
© NELSON LUMBER & DESIGN 2018

PROPOSED CABIN FOR:
FRED SCHEER #3 AUDEN (MIRRORED)
ELEVATIONS

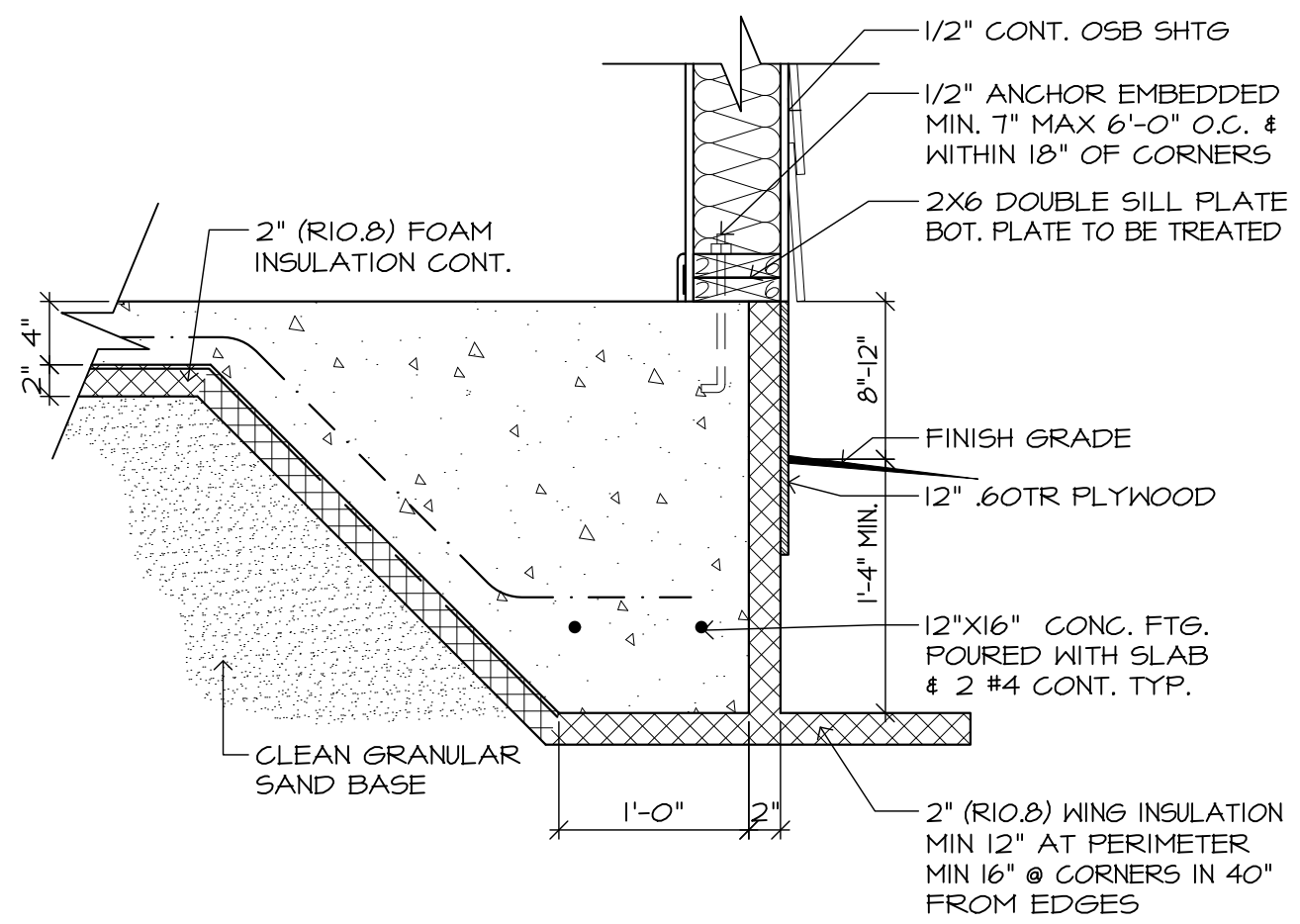


NELSON DESIGN

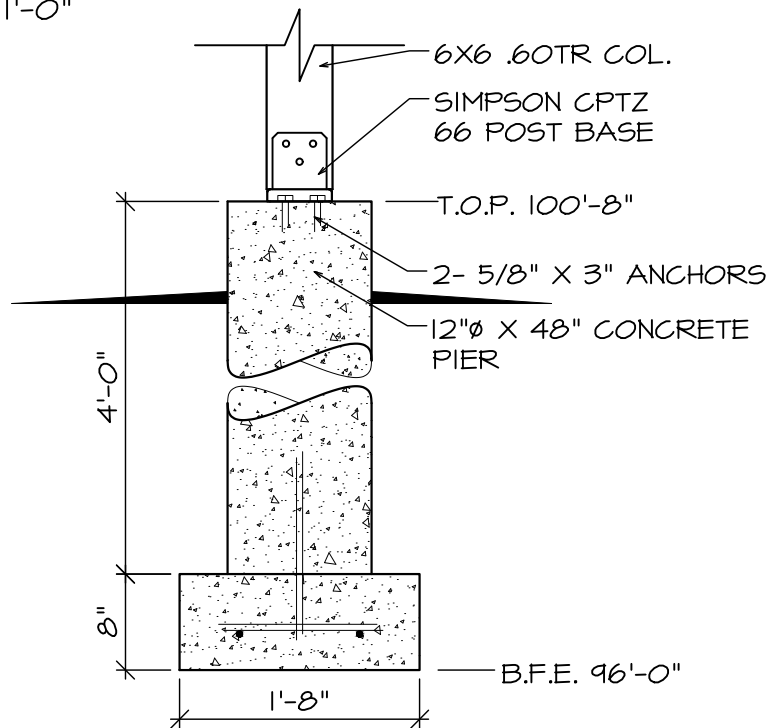
16015W NURSERY RD.
HAYWARD, WI 54843
PHONE: (715) 634-4569
NELSONLUMBER.COM

ISSUED FOR CONSTRUCTION

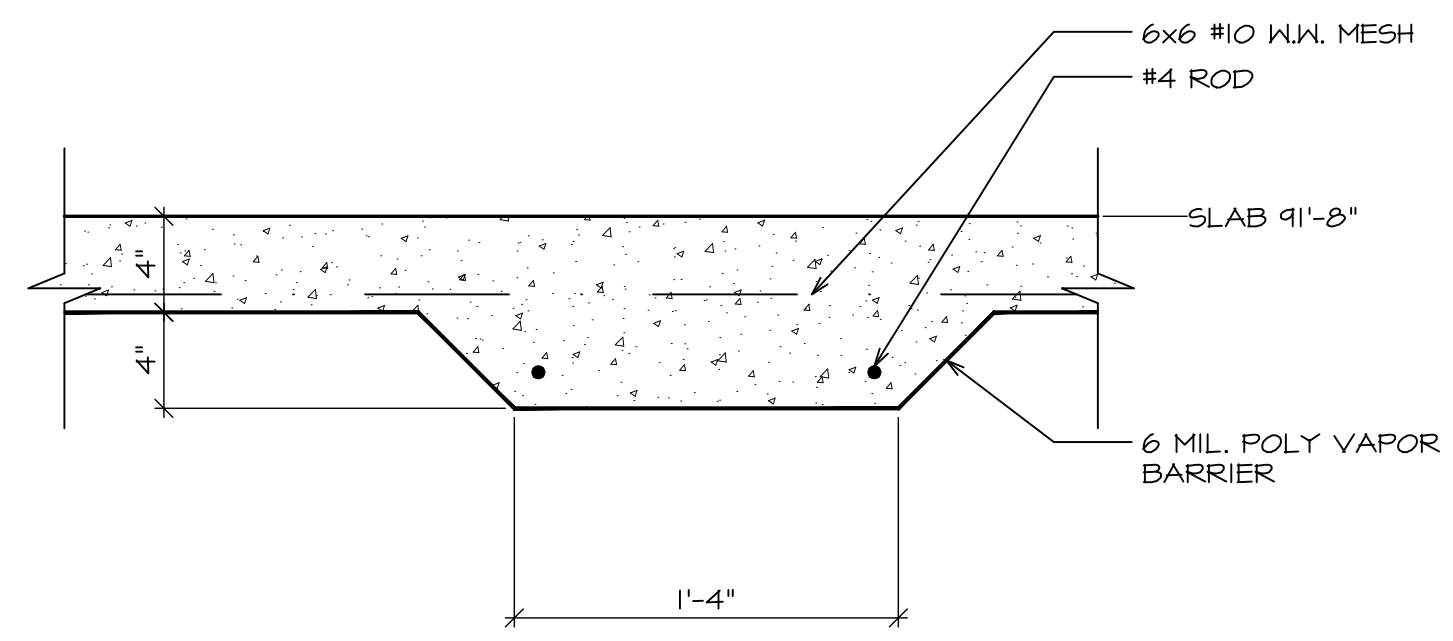
PROPOSED CABIN FOR:
FRED SCHEER #3 AUDEN (MIRRORED)
FOUNDATION PLAN



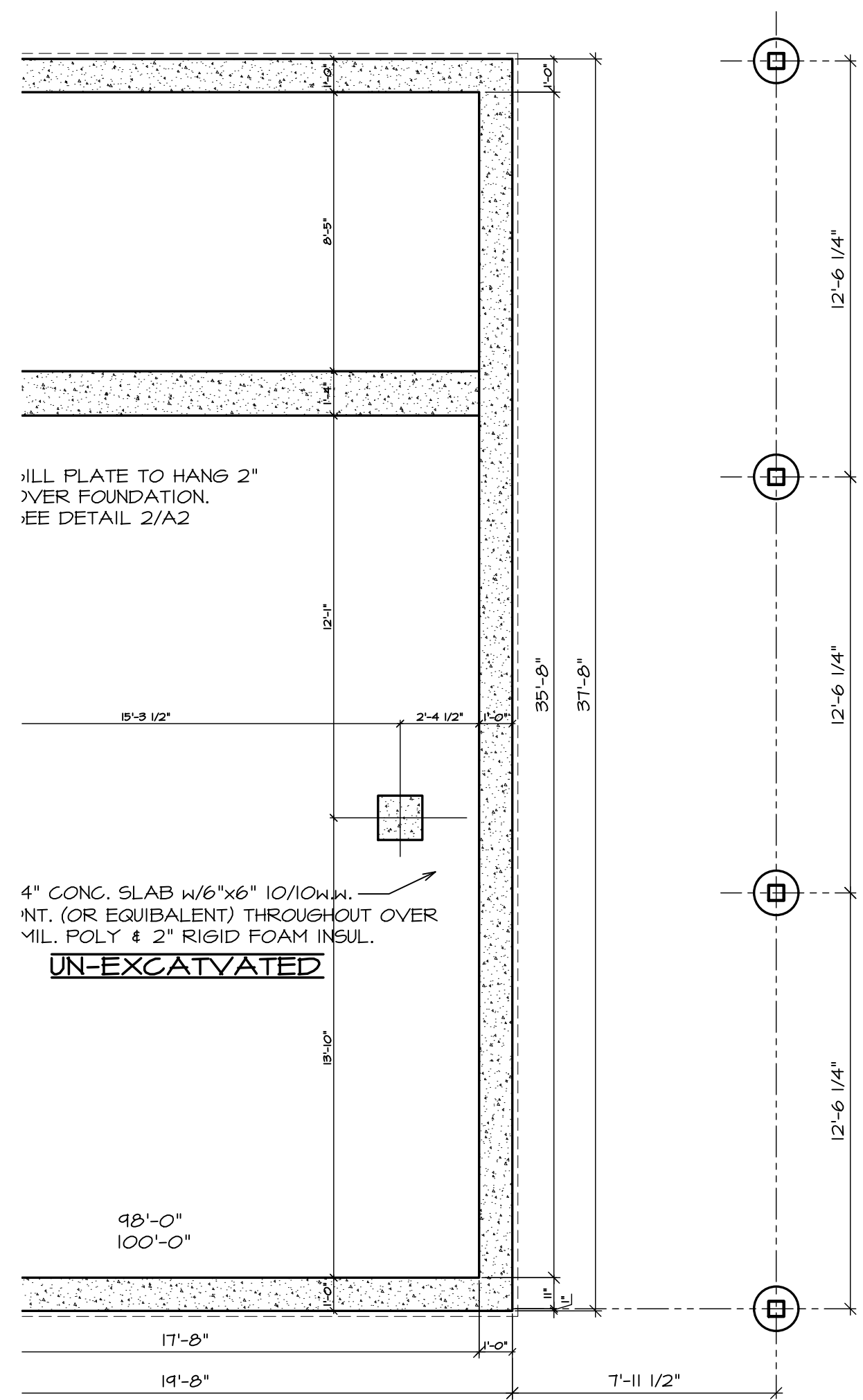
2 FPSF FOOTING DET.
SCALE: 1" = 1'-0"



3 TYP. COLUMN ON POST BASE
SCALE: 3/4" = 1'-0"



4 INTERIOR BEARING FOOTING
SCALE: 1 1/2" = 1'-0"



1 FOUNDATION PLAN
SCALE: 1/4" = 1'-0"

ISSUED FOR CONSTRUCTION

ISSUED FOR CONSTRUCTION

DOOR SCHEDULE						
MARK	QTY.	SIZE	ROUGH OPENING	JAMB	STYLE	REMARKS
①	2	3-0 X 6-8	38 1/2" x 82"	6 13/16"	VERIFY	WAUDENA ENTRY DOOR
②	1	2-6 X 6-8	32" x 82 1/2"	5 1/16"	VERIFY	PRE-HUNG DOOR
③	5	2-8 X 6-8	34" x 82 1/2"	5 1/16"	VERIFY	PRE-HUNG DOOR
④	2	1-6 X 6-8	20" x 82 1/2"	5 1/16"	VERIFY	PRE-HUNG DOOR
⑤	1	2-6 X 6-8	32" x 82 1/2"	5 1/16"	VERIFY	BI-FOLD
⑥	1	2-0 X 6-8	26" x 82 1/2"	5 1/16"	VERIFY	BI-FOLD

WINDOW SCHEDULE						
MARK	QTY.	CALL NUMBER	ROUGH OPENING	JAMB	GLAZING	REMARKS
A	3	ITGL6060	60 3/4" x 60 3/8"	6 13/16"	LOW-E 2 W ARGON	-
B	1	ITGL1248	72 3/4" x 48 3/8"	6 13/16"	LOW-E 2 W ARGON	-
C	1	ITGL4836	48 3/4" x 36 3/8"	6 13/16"	LOW-E 2 W ARGON	-
D	1	ITDH3048	30 3/4" x 48 3/8"	6 13/16"	LOW-E 2 W ARGON	-
E	1	ITDH2236	22 3/4" x 36 3/8"	6 13/16"	LOW-E 2 W ARGON	-
F	2	ITDH3640	36 3/4" x 40 3/8"	6 13/16"	LOW-E 2 W ARGON	-
G	1	ISPD5068	60 1/4" x 82 5/8"	6 13/16"	LOW-E 2 W ARGON	-
H	3	---	36 3/4" x 48 3/8"	6 13/16"	LOW-E 2 W ARGON	-
J	1	---	42 3/4" x 36 3/8"	6 13/16"	LOW-E 2 W ARGON	-

SHEET
A3
OF _____ SHEETS

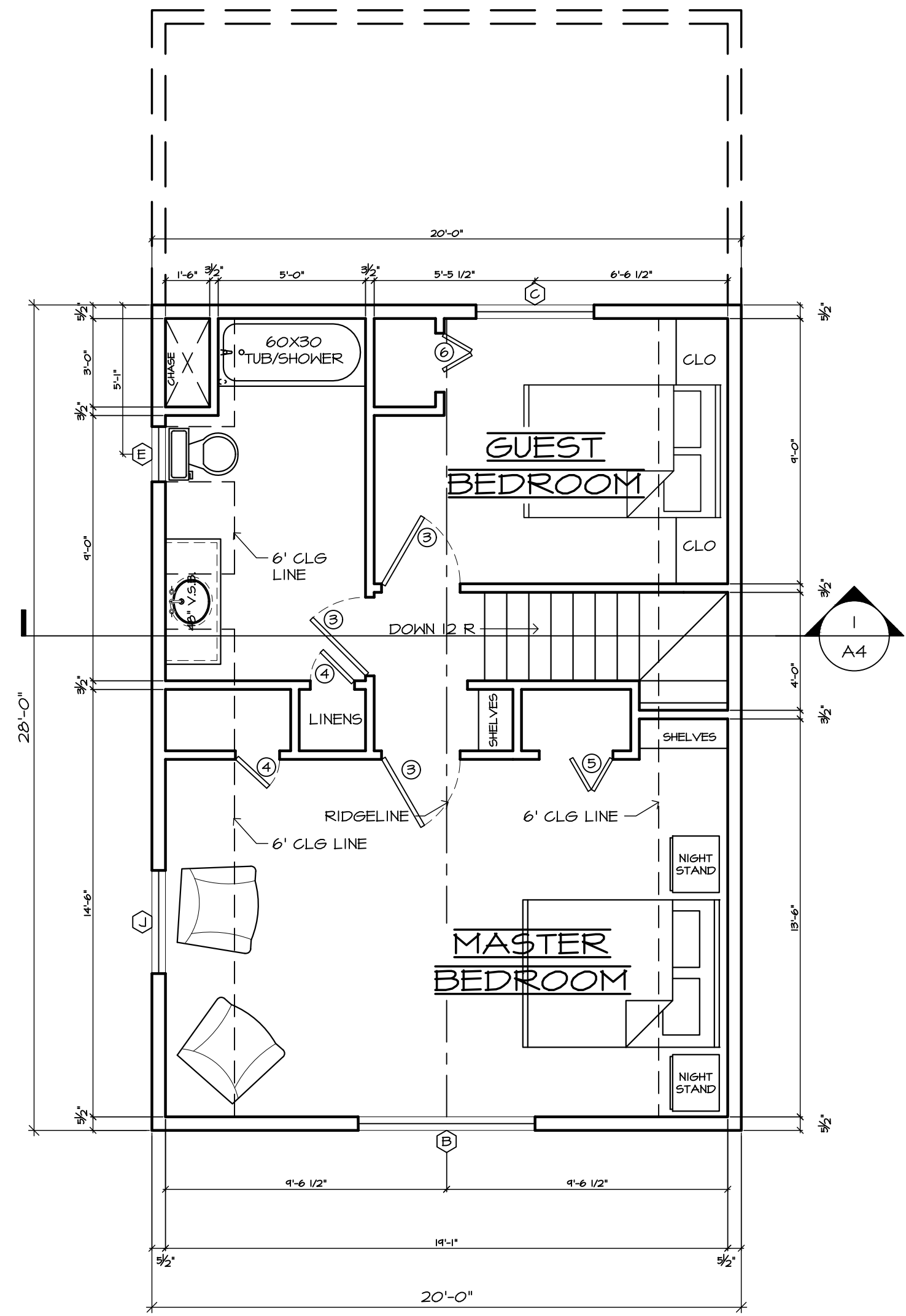
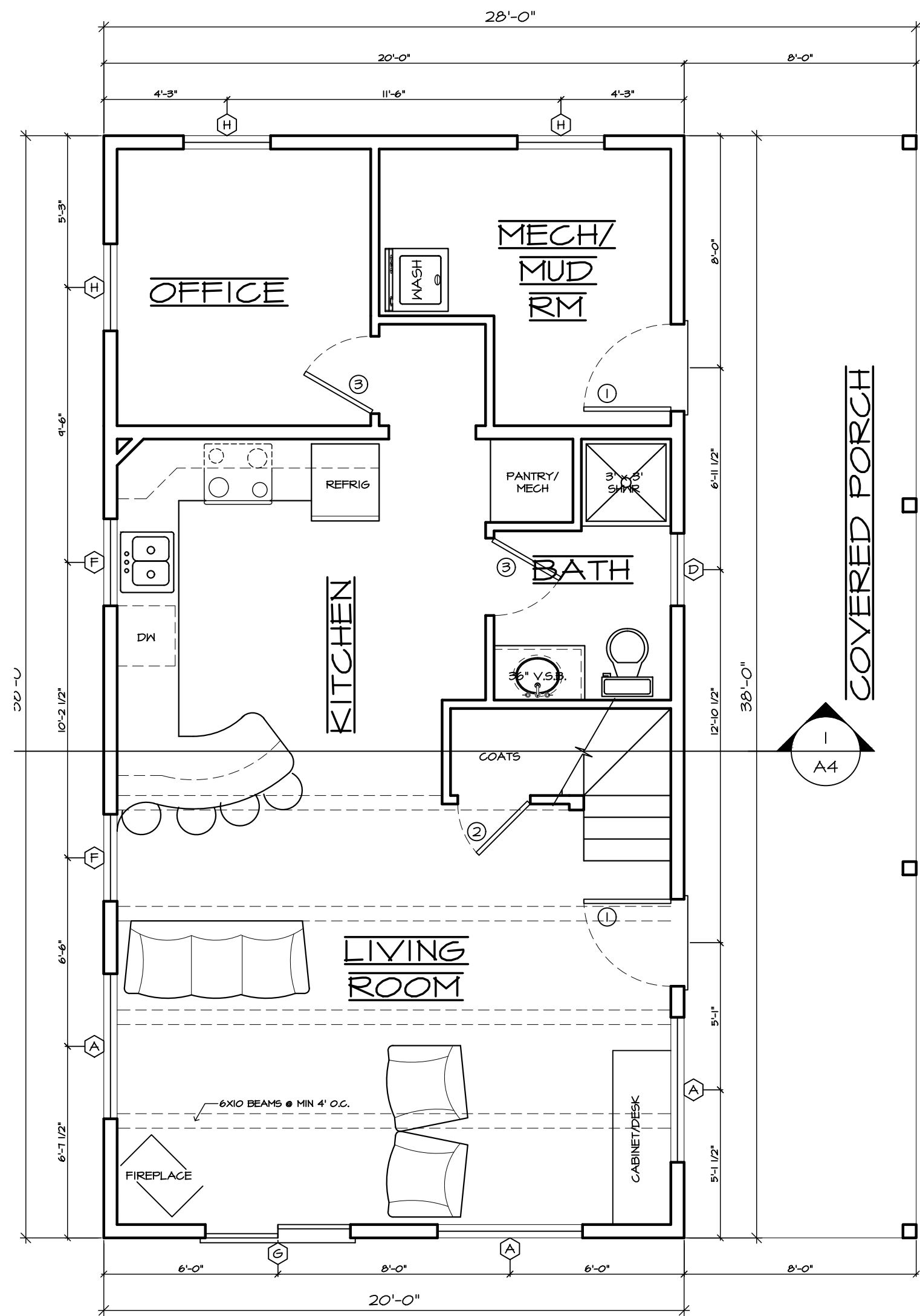
ISSUED: 04/17/18
REVISED: 06/29/18
SCALE: SEE PLAN
DRAWN BY: J.L.S.
JOB #: 18-023

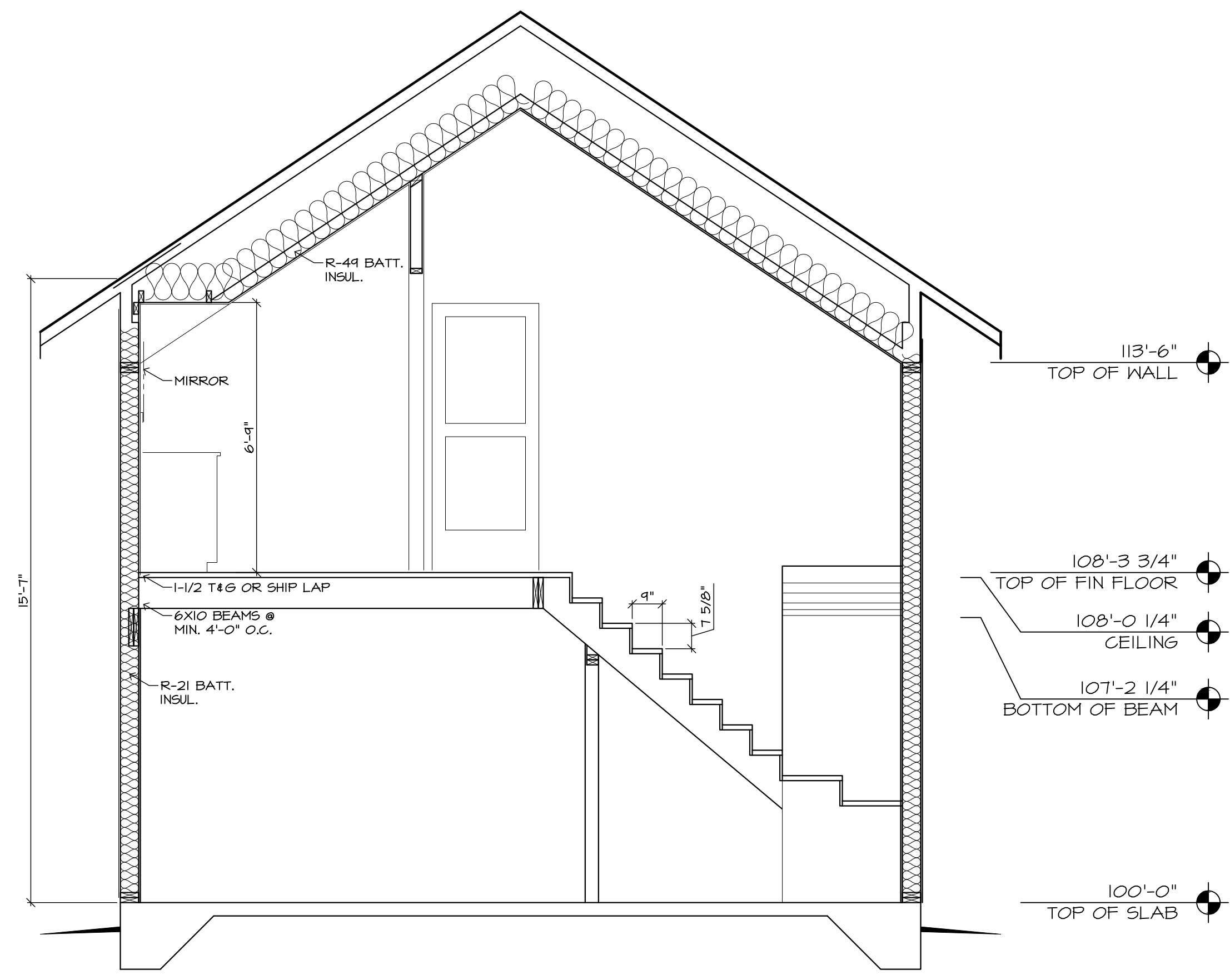
NELSON LUMBER & DESIGN HOLDS THE RIGHTS OF COPYRIGHT IN AND TO THESE PRINTS, DRAWINGS AND DOCUMENTS. NO REPRODUCTION, COPYING, ALTERATION, MODIFICATION, USAGE, INCORPORATION INTO OTHER DOCUMENTS OR ASSIGNMENT OF THE SAME MAY OCCUR WITHOUT THE PRIOR WRITTEN PERMISSION OF NELSON LUMBER & DESIGN
NELSON LUMBER & DESIGN
2018

PROPOSED CABIN FOR:
FRED SCHEER #3 AUDEN (MIRRORED)
PLAN



NELSON DESIGN
16015W NURSERY RD.
HAYWARD, WI. 54843
PHONE: (715) 634-4569
NELSONLUMBER.COM

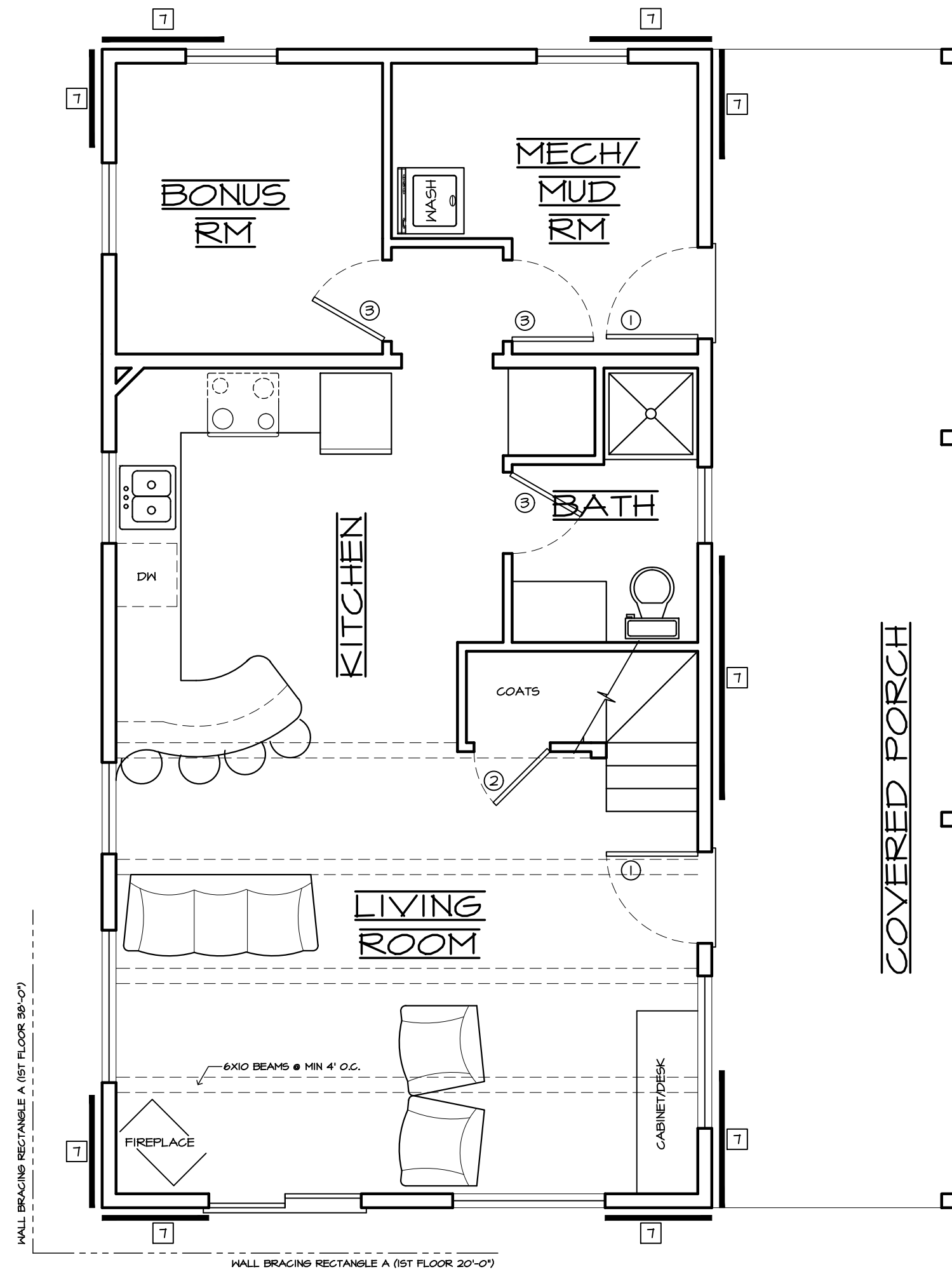




SECTION
 SCALE: 3/8" = 1'-0"

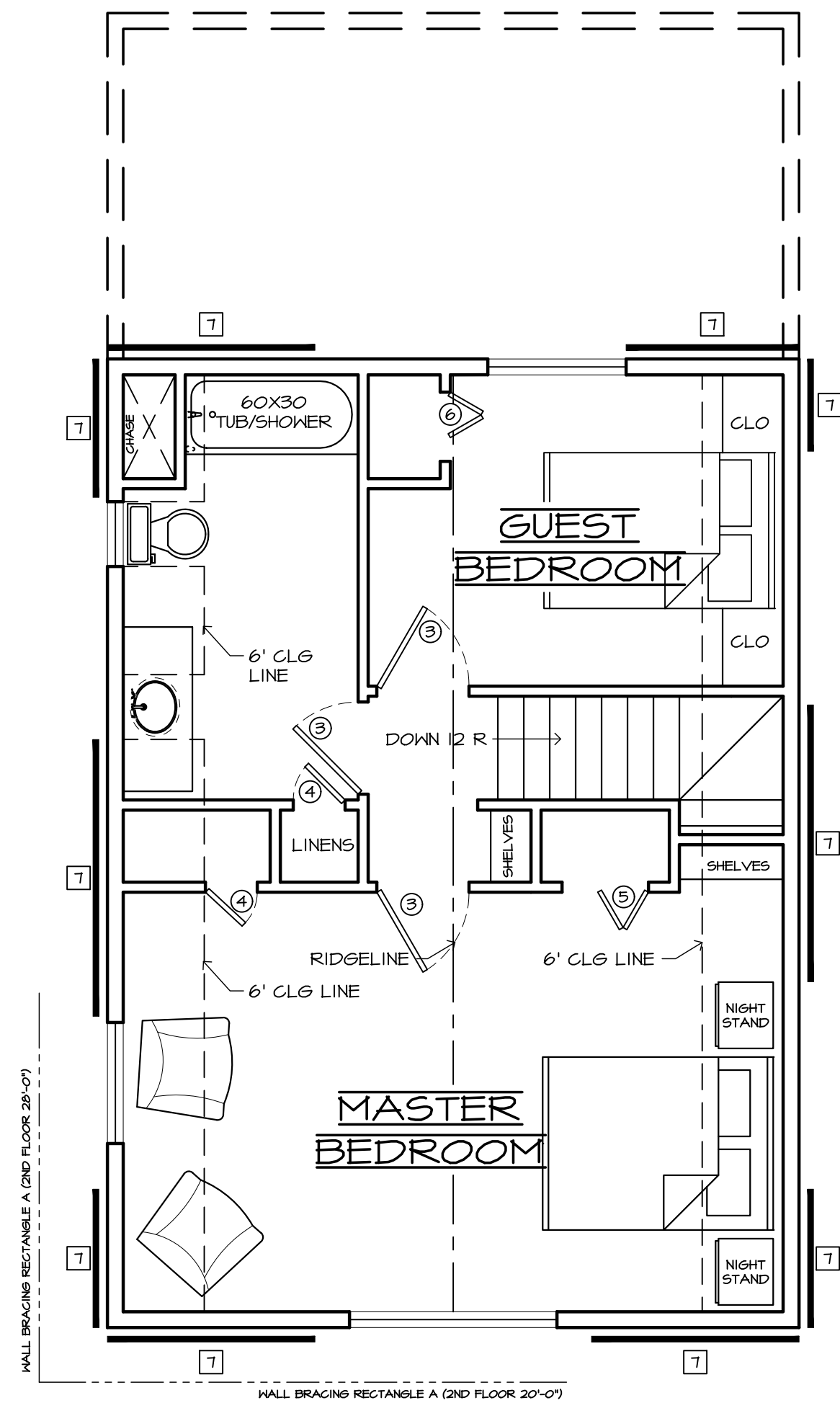
PROPOSED CABIN FOR:
 FRED SCHEER #3 AUDEN (MIRRORED)
 SECTION

ISSUED FOR CONSTRUCTION



WALL BRACING PLAN

SCALE: 1/4" = 1'-0"



WALL BRACING PLAN

SCALE: 1/4" = 1'-0"

WALL BRACING METHOD

⑦ (G5-SFB) 1/2" OR 25/32" THICK SHEATHING FOR A MAXIMUM OF 16" STUD SPACING WITH 1 1/2" LONG x 0.12"Ø (FOR 1/2" THICK SHEATHING) 1 3/4" LONG x 0.12"Ø (FOR 25/32" THICK SHEATHING) NAILS AT 3" O.C. (PANEL EDGES) AND 6" O.C. IN FIELDS

PROPOSED CABIN FOR:
 FRED SCHEER #3 AUDEN (MIRRORED)
 WALL BRACING

NELSON DESIGN
 16015W NURSERY RD.
 HAYWARD, WI. 54843
 PHONE: (715) 634-4569
 NELSONLUMBER.COM

ISSUED FOR CONSTRUCTION